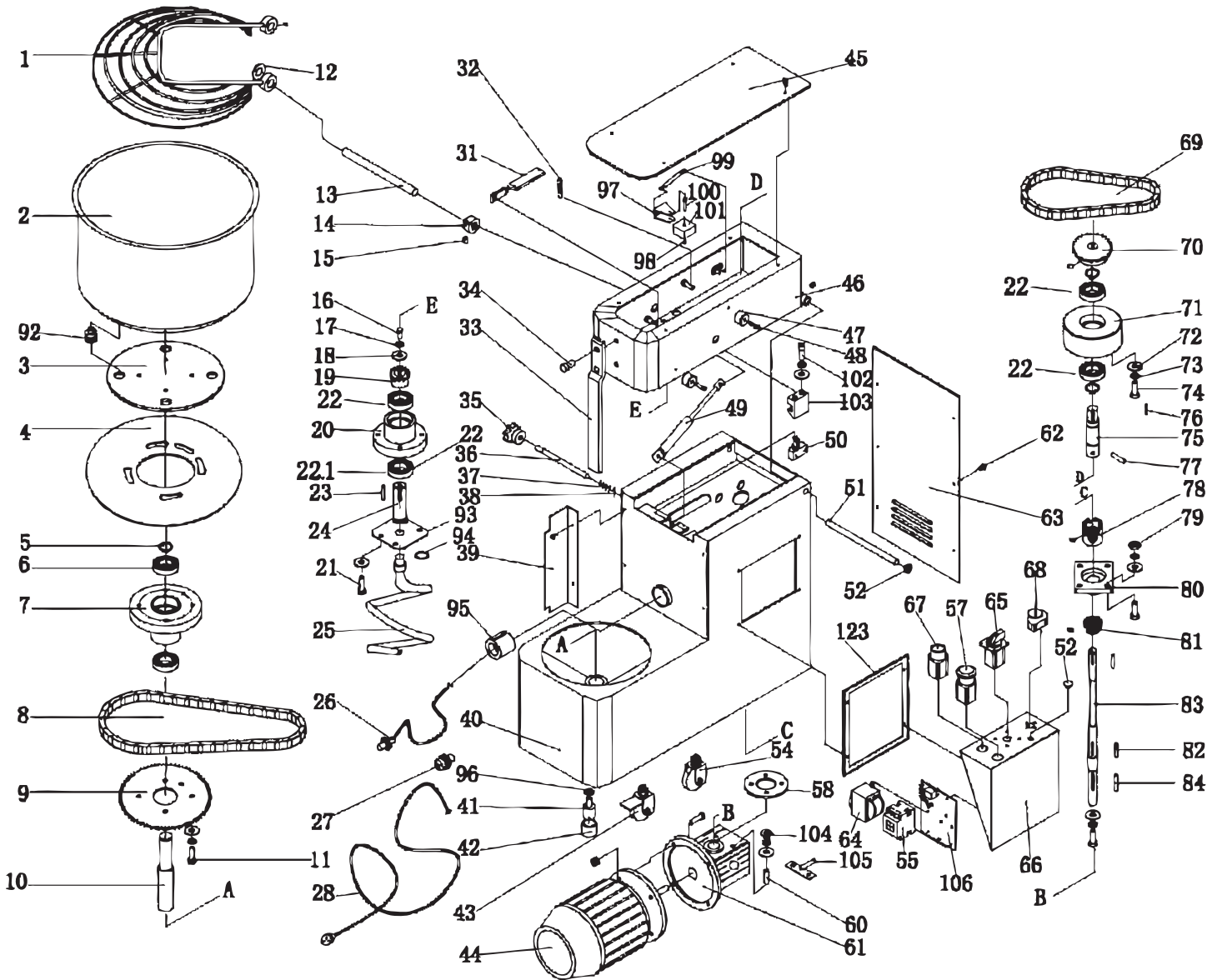


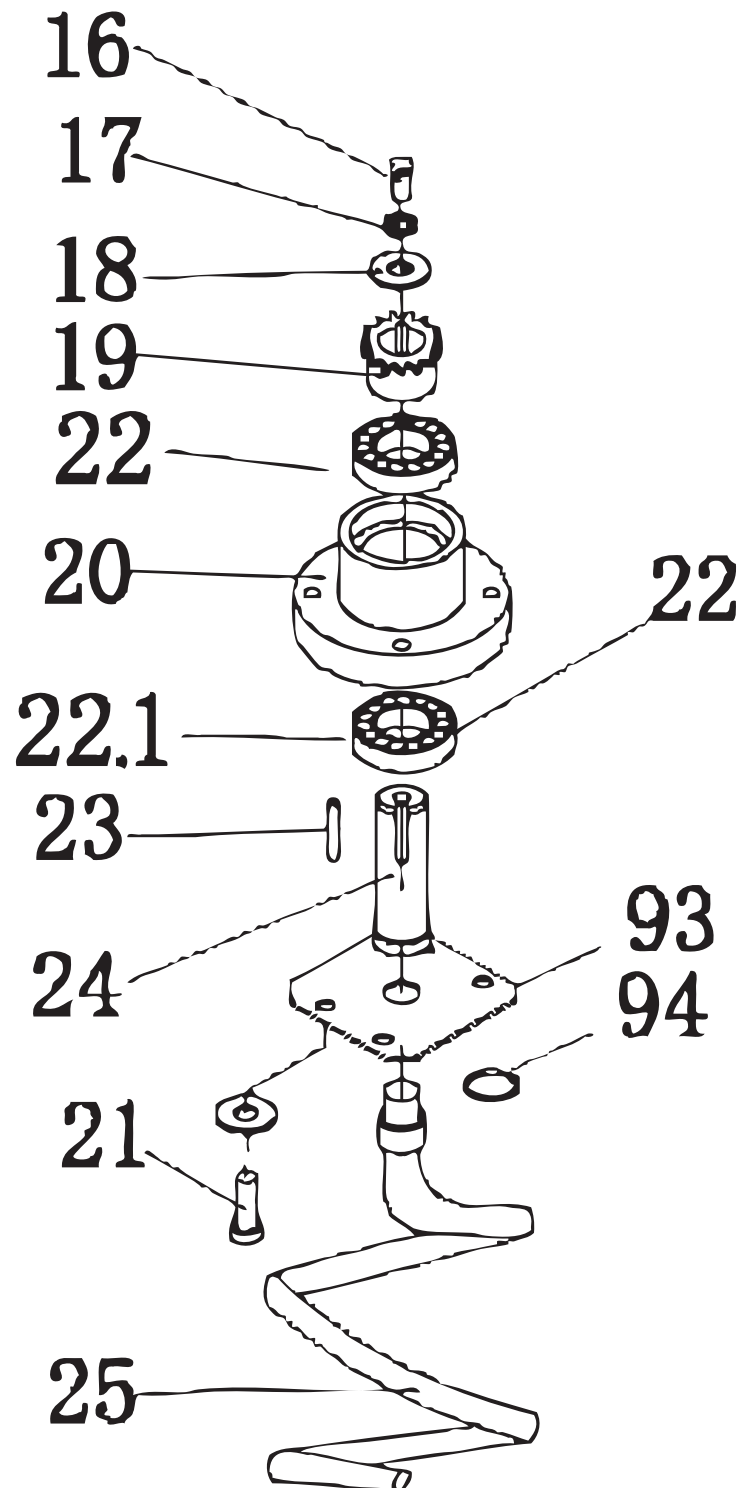
Parts Breakdown

Model SM-IT-0053-R 41549



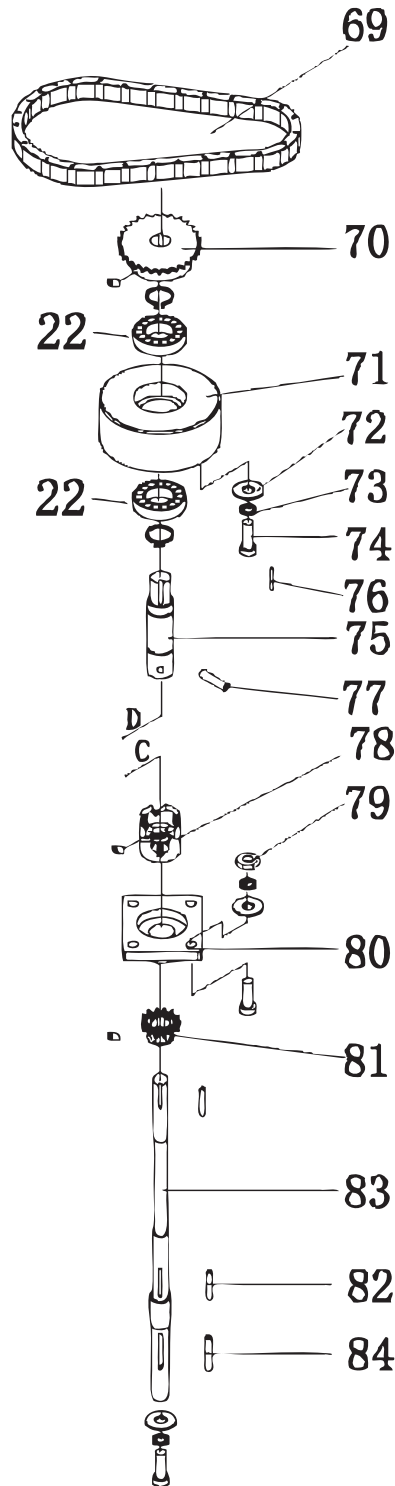
Parts Breakdown

Model SM-IT-0053-R 41549



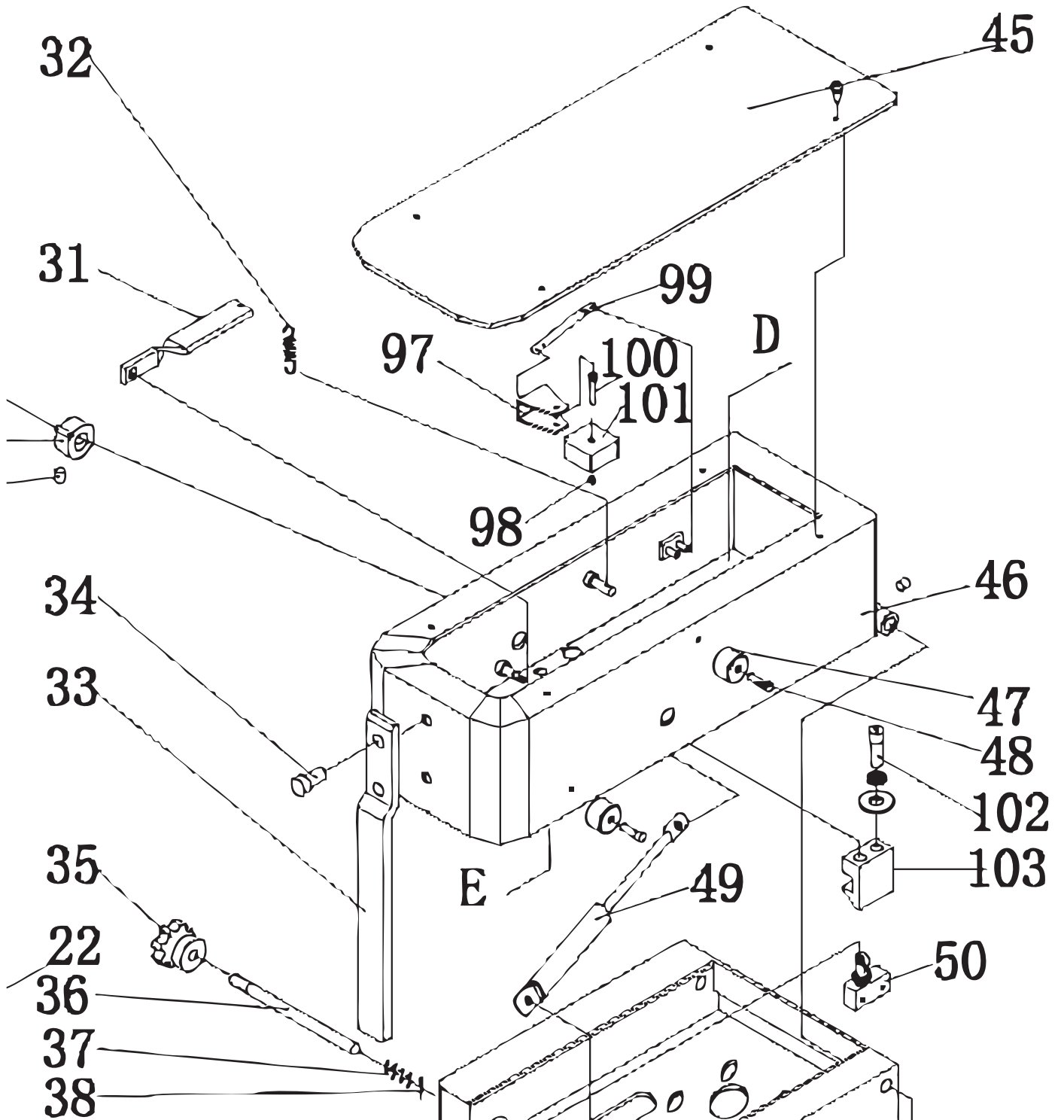
Parts Breakdown

Model SM-IT-0053-R 41549



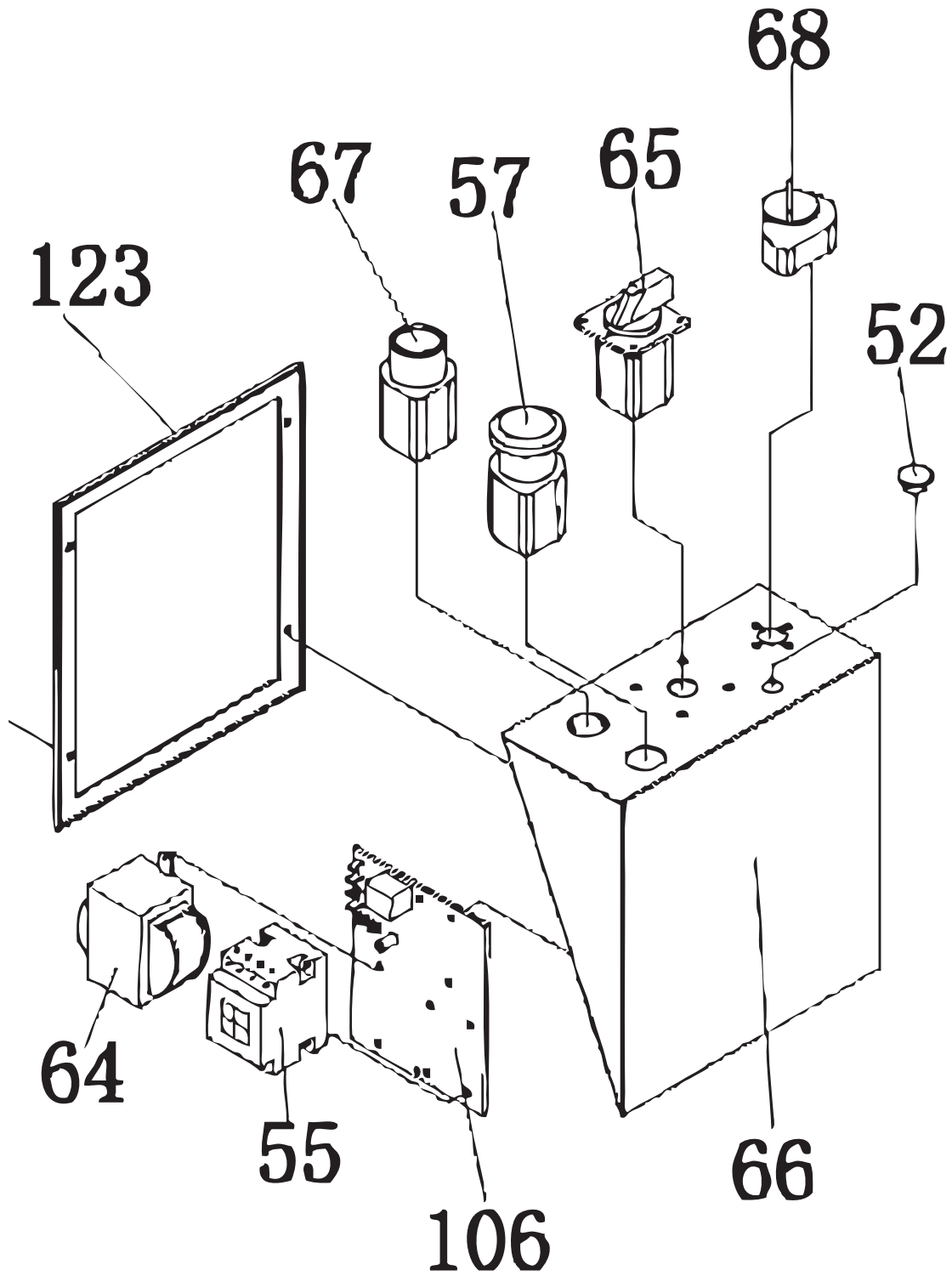
Parts Breakdown

Model SM-IT-0053-R 41549



Parts Breakdown

Model SM-IT-0053-R 41549



Parts Breakdown

Model SM-IT-0053-R 41549

Item No.	Description	Position	Item No.	Description	Position	Item No.	Description	Position
AC199	Safety Guard for 41549	1	AC223	Screw M10x25 for 41549	34	AC279	Ball Bearing Base for 41549	71
AC200	Bowl for 41549	2	AC270	Head Closing Knob for 41549	35	AC245	Stainless Steel Washer Ø 10 for 41549	72
AC263	Bowl Flange for 41549	3	AC271	Closing Handle Axle for 41549	36	AC246	Stainless Steel Washer Spring Ø 10 for 41549	73
AC264	Plate Block Bowl for 41549	4	AC272	Spring Ø 1.5 x Ø 14 x 30/6 for 41549	37	AC280	Screw TE M10x35 INOX for 41549	74
AC201	Snap Ring Diam. 25 for 41549	5	AC273	Pin Diam. 3.2 for 41549	38	AC281	Connecting Shaft for 41549	75
AC202	Bearing 6205-2RS for 41549	6, 22	AC274	Side Safety Panel for 41549	39	AC248	Key 6x6x30 for 41549	76, 82
AC203	Support Bowl Base for 41549	7	AC225	Steel Foot M12 for 41549	41	AC282	Connecting Pin Ø 10x50 for 41549	77
AC204	Bowl Spiral 06B/144 for 41549	8	AC226	Insert for Plastic Foot for 41549	42	69741	Transmission Joint for 41549	78
AC205	Crown Z=85 06B for 41549	9	AI215	Wheel Kit M12 (2 with Brake and 2 without Brake) for 41549	43, 54	AC283	Nut M10 ZN for 41549	79
AC206	Bowl Support Axle for 41549	10	AG919	Motor 208V/360V/60Hz 1.5kW 90 B14 UL/CSA for 41549	44	AC244	Transmission Shaft Base UCF 205 for 41549	80
AC265	Screw M8x60 for 41549	11	AC229	Cover Red for 41549	45	46382	Chain Pinion Gear Z=16 06B for 41549	81
AC266	Guard Ring for 41549	12	AC230	Ring in Nylon for 41549	47	AC284	Transmission Shaft for 41549	83
AC208	Safety Guard Pin for 41549	13	AC231	Screw M4x30 for 41549	48	AC250	Key 8x7x35 for 41549	84
AC267	Cam for Safety Guard for 41549	14	69380	Mechanical Shock for 41549	49	AC285	Bowls Peg for 41549	92
AC210	Screw M8x10 for 41549	15	AC275	Micro-Switch for 41549	50	AC252	Spiral Plate for 41549	93
AC211	Screw M8x25 for 41549	16	AC276	Head Rotation Shaft for 41549	51	AC253	O-Ring Diam. 20x2.5 for 41549	94
AC212	Stainless Steel Washer Grover Ø 8.5 for 41549	17	AC232	Axis Cover for 41549	52	AC286	Proximity Micro L=75mm for 41549	95
AC213	Stainless Steel Washer Ø8 for 41549	18	69417	Contactora CN-6/4A 24V for 41549	55	AC287	Nut M12 ZN for 41549	96
AC214	Pinion Gear Z=15 08B for 41549	19	61375	Emergency Stop Switch for 41549	57	AC254	Nylon Block Base for 41549	97
AC215	Spiral Support for 41549	20	AC234	Ring Fixing Reduction Gear for 41549	58	AC255	Nut M5 ZN for 41549	98
AC216	Screw M8x30 for 41549	21	AC235	Screw M8x40 for 41549	60	AC256	Tensioner Base for 41549	99
AC217	Bearing 6006-2RS for 41549	22,01	AC236	Gear Box CM63 90 B14 1/30 FLS for 41549	61	AC257	Screw TCEI M5x30 for 41549	100
AC218	Key 6x6x35 for 41549	23	AC237	Screw M5x10 for 41549	62	AC258	Nylon Block for 41549	101
AC219	Axle for Spiral Base for 41549	24	AC277	Back Panel Red for 41549	63	AC288	Screw TCEI M10x25 for 41549	102
64154	Spiral for 41549	25	AC239	Transformer 380 V for 41549	64	AC289	Head Closing Hook for 41549	103
69999	Distance Sensor with Two Cables (NO) for 41549	26	AC240	Main Switch for 41549	65	AC290	Nut M8 ZN for 41549	104
AC220	Wire Clip for 41549	27	AC241	Front Oblique Switch Panel for 41549	66	AC259	Bowl Chain Tensioner Part for 41549	105
AC221	Supply Wire for 41549	28	AC153	Starting Button for 41549	67	AC260	Control Card 115/230/400 V for 41549	106
AC268	Pivot for Fixing Spring for 41549	31	AF722	Complete Timer 0-30 Min for 41549	68	AC262	Red Frame for 41549	123
AC269	Spring Diam. 1.2 x Diam. 8.5 x 20/13 for 41549	32	AC278	Spiral Chain 08B/76 for 41549	69			
AC222	Rod Breaking Dough for 41549	33	AC243	Chain Pinion Gear Z=29 08B for 41549	70			